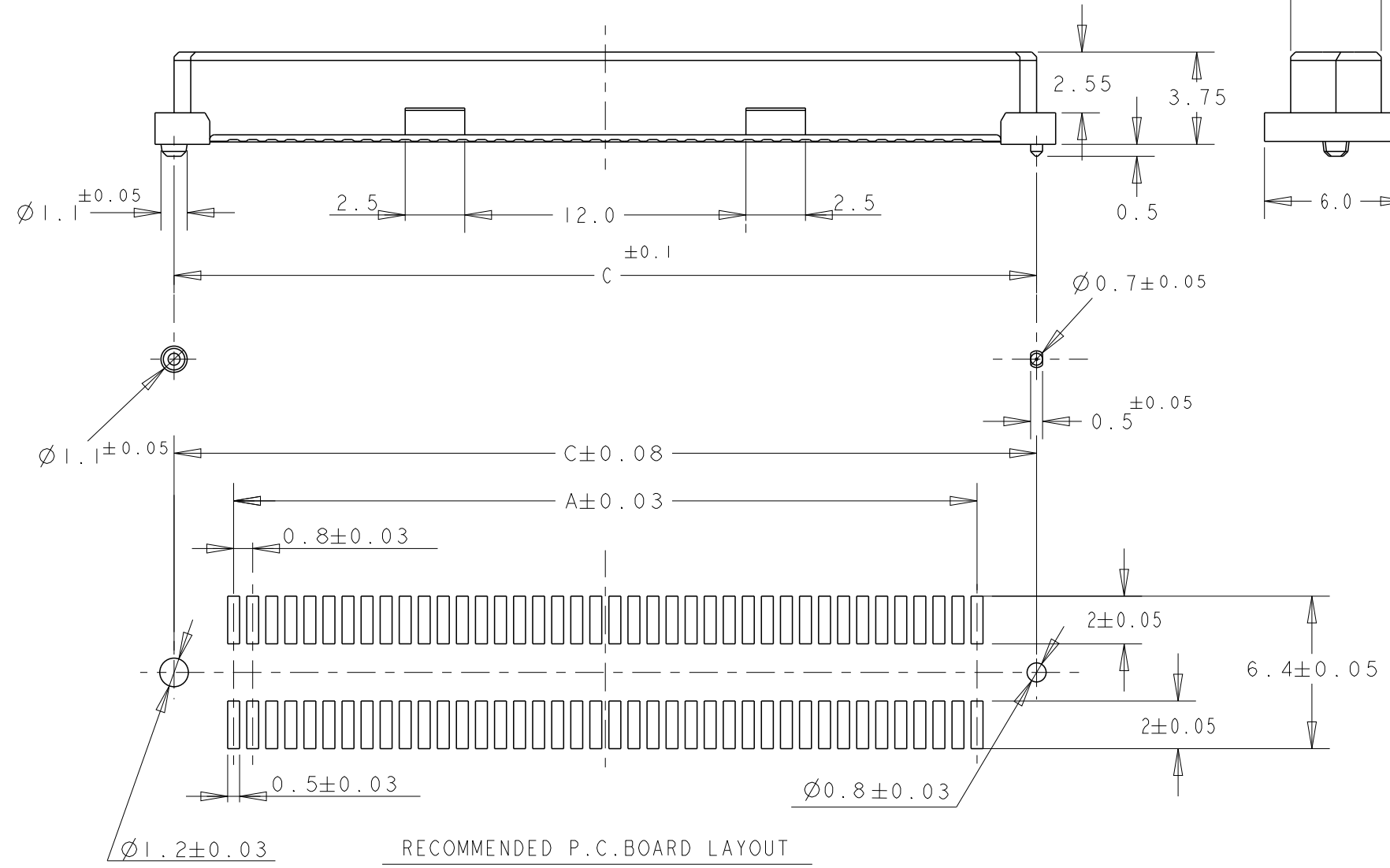
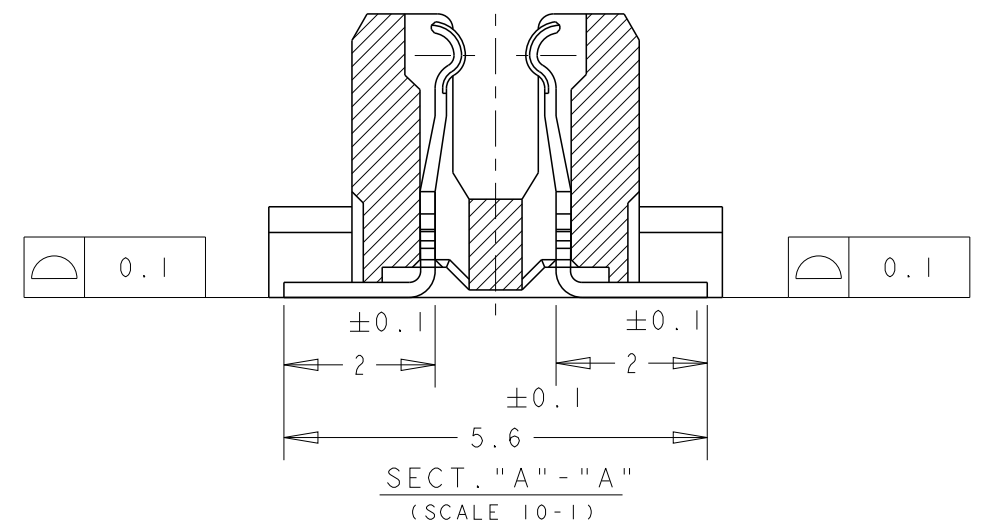
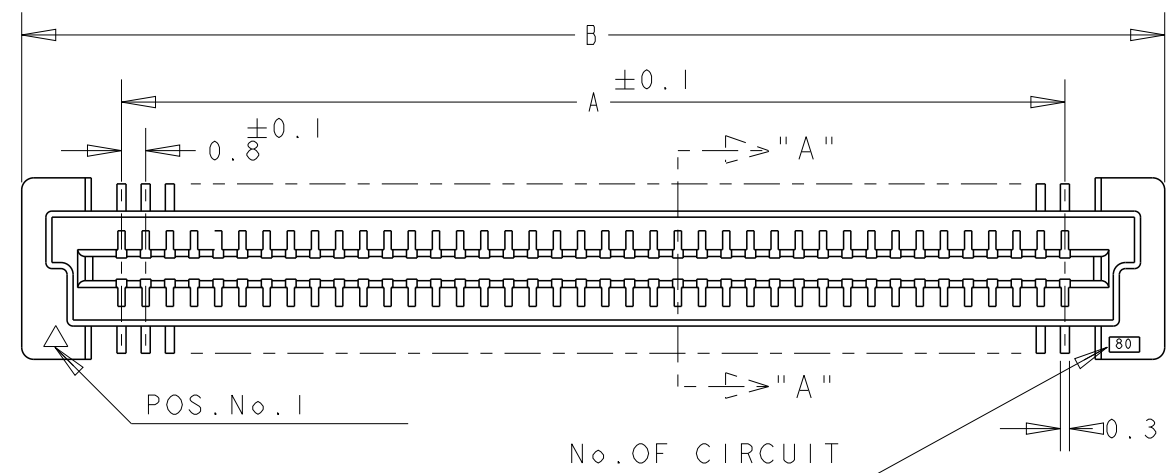


THIS DRAWING IS UNPUBLISHED. RELEASED FOR PUBLICATION 20
 © COPYRIGHT 20 BY - ALL RIGHTS RESERVED.

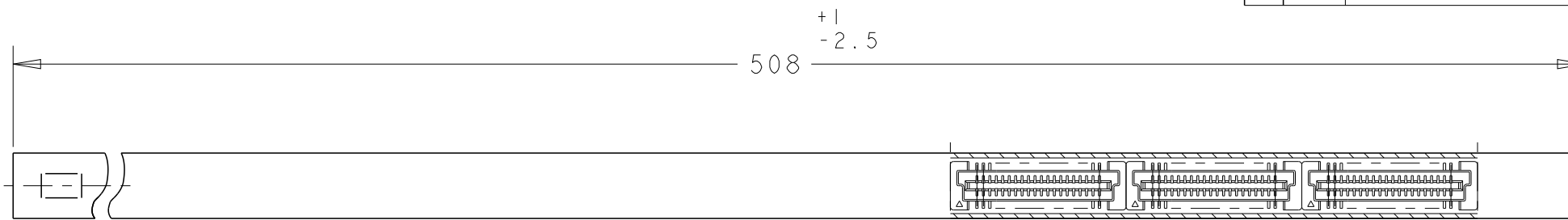
LOC	DIST	REVISIONS			
P	LTR	DESCRIPTION	DATE	DWN	APVD
DY	-	A2	REVISED PER ECR-13-004900	19MAR13	I.T S.Y



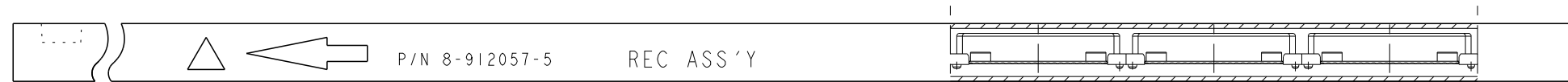
- NOTES;
- 1 MATERIAL: HOUSING: L.C.P. (HIGH TEMP. THERMOPLASTIC)
UL 94V-0, NATURAL.
CONTACT: BERYLIUM COPPER.
 - 2 FINISH: CONTACT AREA: 0.00076 MIN GOLD ON
0.0013 MIN ALL OVER NICKEL.
SOLDERING AREA: 0.002 MIN MATTE-TIN.
 - 3. POSITION SERIES: SEE TABLE.
 - 4. CONN STACK HEIGHT COMBINE OF PLUG "Y" H VS REC "X" H.
STACK HEIGHT = Y + X - 5

P/N SEE SHEET 2 OF 2

THIS DRAWING IS A CONTROLLED DOCUMENT.		DWN FLORENCE TAN 16SEP04	TE Connectivity	
DIMENSIONS: mm		CHK ERIC TNG 20MAR2013		
TOLERANCES UNLESS OTHERWISE SPECIFIED:		APVD SE LEONG 20MAR2013	NAME REC ASSY FOR FH 0.8BTB CONNECTOR 5H 0.5 BOSS LENGTH (0.76um GOLD)	
0 PLC ±- 1 PLC ±0.30 2 PLC ±0.25 3 PLC ±0.20 4 PLC ±- ANGLES ±3°		PRODUCT SPEC 108-5390	SIZE A3	
MATERIAL -		APPLICATION SPEC 114-5254	CAGE CODE 00779	DRAWING NO G-6123000
FINISH -		WEIGHT -	RESTRICTED TO -	
CUSTOMER DRAWING			SCALE 4:1	SHEET 1 OF 2
			REV A2	

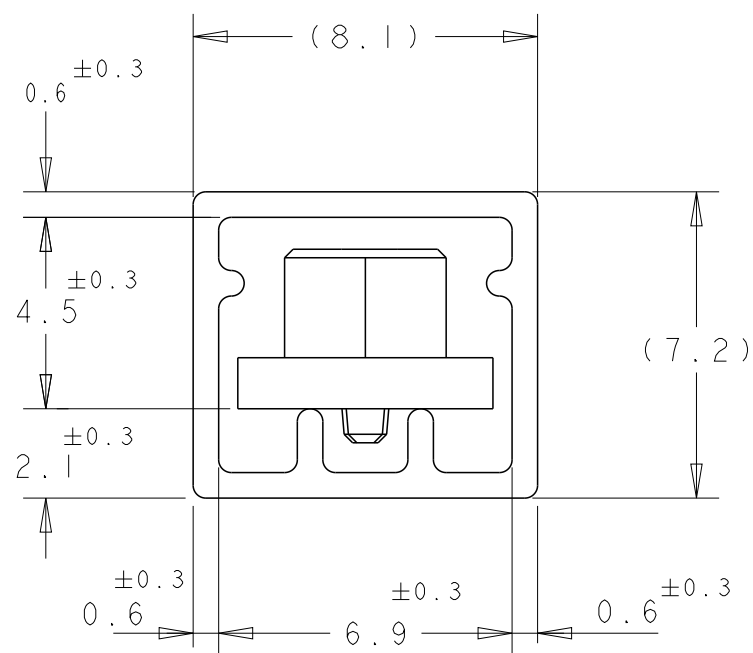
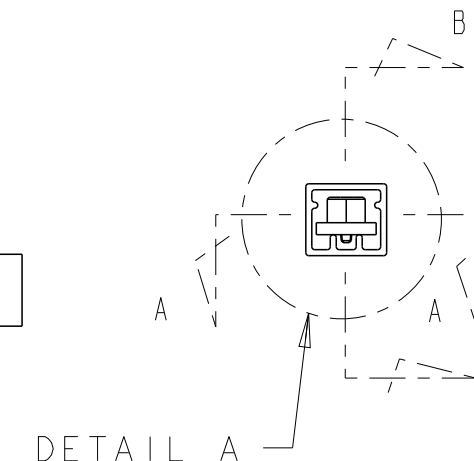


SECT A-A



REFERENCE PICTURE OF TUBE PACK

SECT B-B



DETAIL A

STATUS	QTY	C	B	A	POS.	CONN P/N
AVAILABLE	5	84.2	85.8	79.2	200	1- -0
	6	76.2	77.8	71.2	180	-9
	6	68.2	69.8	63.2	160	-8
	7	60.2	61.8	55.2	140	-6
	9	52.2	53.8	47.2	120	-5
	10	44.2	45.8	39.2	100	-4
	12	36.2	37.8	31.2	80	-3
	16	28.2	29.8	23.2	60	-2
	22	20.2	21.8	15.2	40	6123000-1

THIS DRAWING IS A CONTROLLED DOCUMENT.

DWN 16SEP04 FLORENCE TAN

CHK 20MAR2013 ERIC TNG

APVD 20MAR2013 SE LEONG

PRODUCT SPEC 108-5390

APPLICATION SPEC 114-5254

WEIGHT -

CUSTOMER DRAWING



NAME REC ASSY FOR FH 0.8BTB CONNECTOR 5H 0.5 BOSS LENGTH (0.76um GOLD)

SIZE A3	CAGE CODE 00779	DRAWING NO C-6123000	RESTRICTED TO -
---------	-----------------	----------------------	-----------------

DIMENSIONS: mm	TOLERANCES UNLESS OTHERWISE SPECIFIED:
	0 PLC \pm
	1 PLC ± 0.30
	2 PLC ± 0.25
	3 PLC ± 0.20
	4 PLC \pm
	ANGLES $\pm 3^\circ$
MATERIAL -	FINISH -